

In-Line Drop Target
500-9816-00

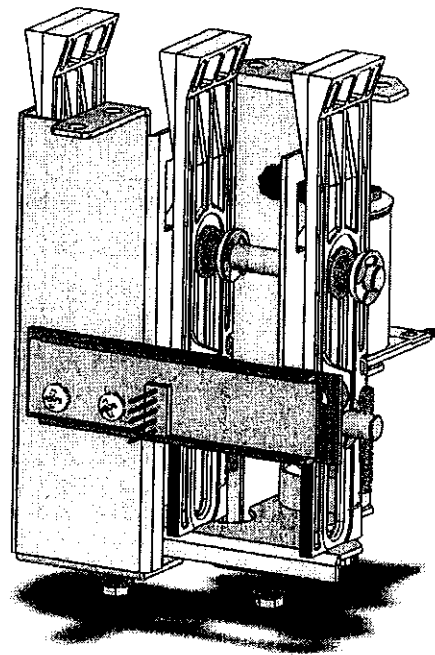
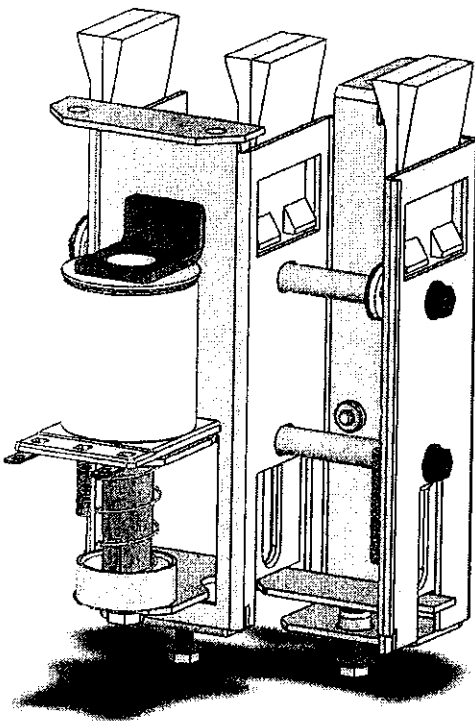
PROCEDURE FOR REPLACEMENT OF TARGETS

OVERVIEW

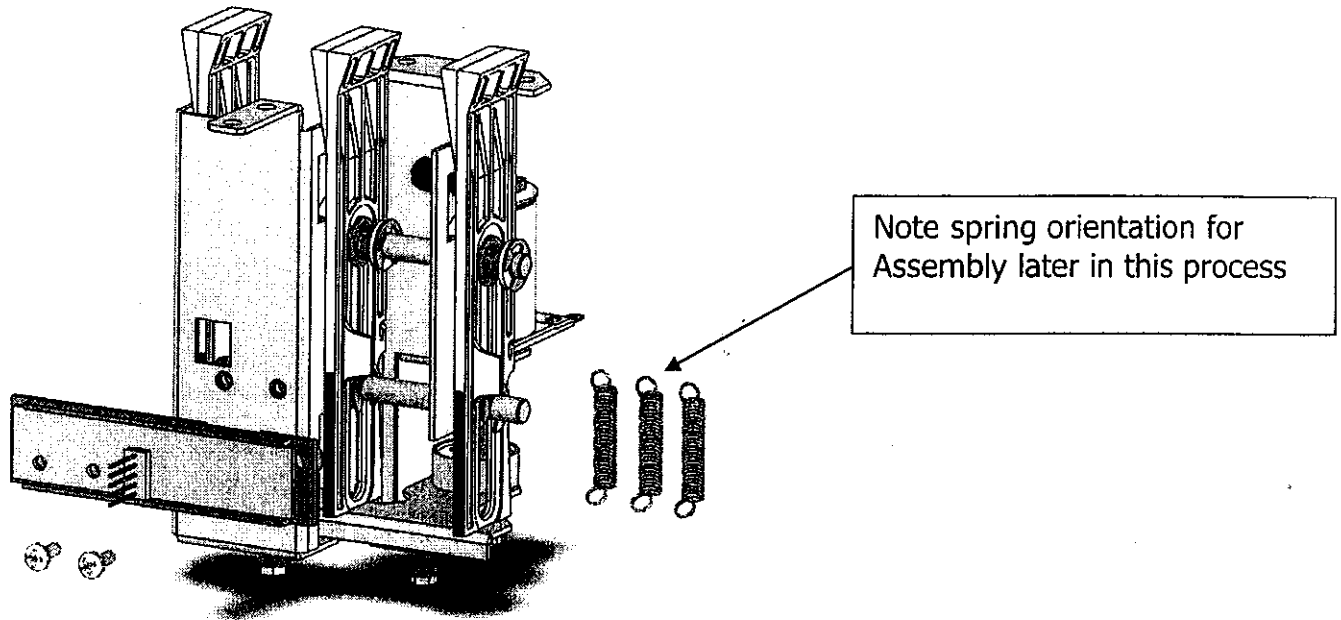
There are several different flat washers, e-rings and springs, the location of each one is critical and not interchangeable. Please complete this procedure on a clean bench top and pay attention to the location of the components before disassembly.

STEPS

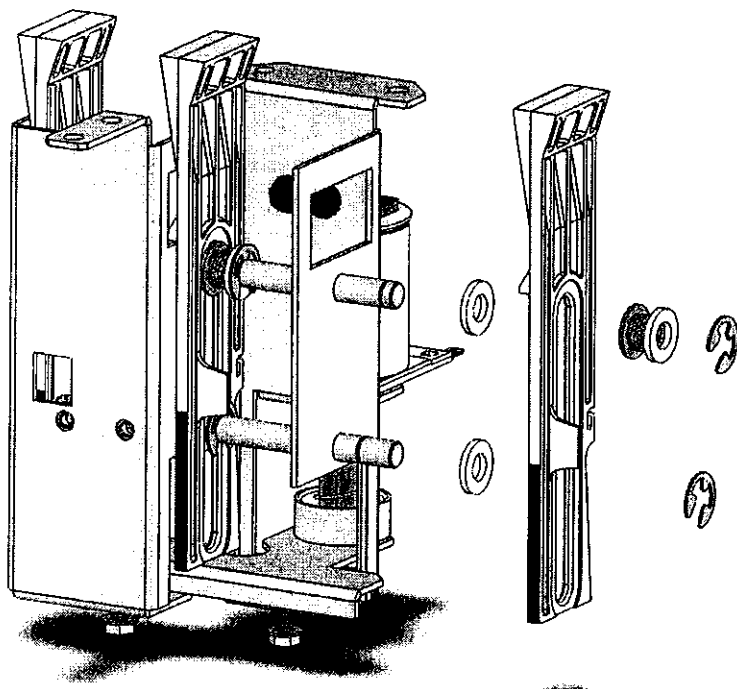
Step 1: Remove drop target assembly from playfield



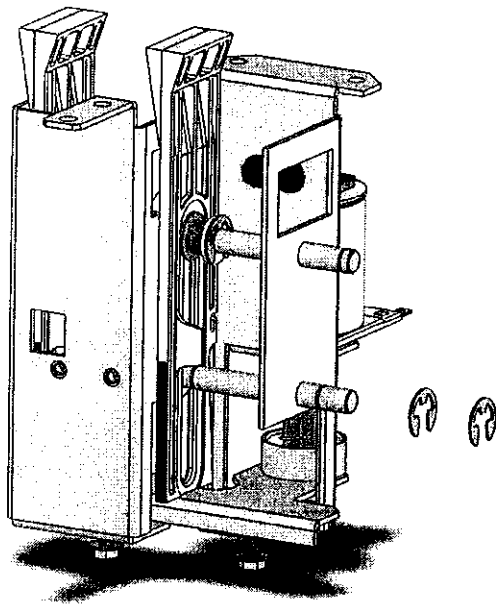
Step 2: Remove Opto board and target return springs



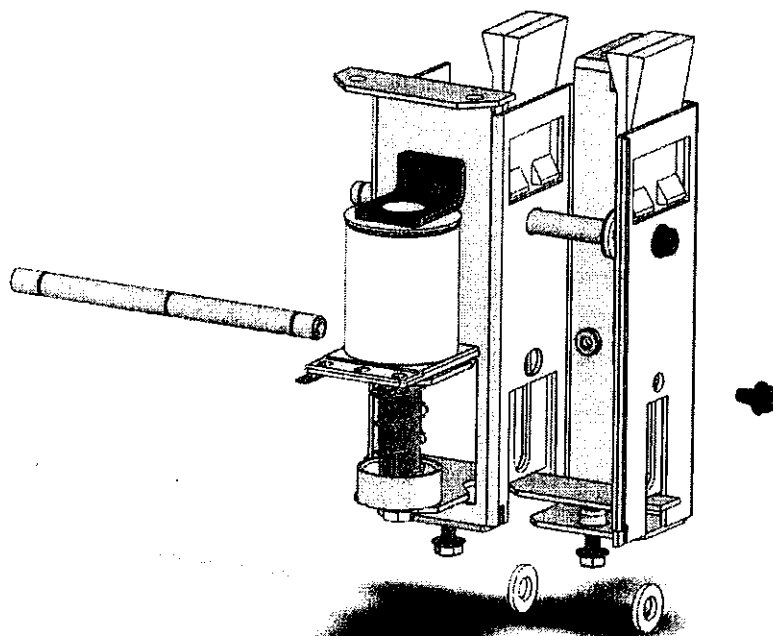
Step 3: Remove the last target. Remove two e-rings, 4 flat washers, and one small spring. Three of the flat washers are thick and one is thin. The thin washer goes between the target and the small spring on the top shaft. There is no washer between the e-ring and the target on the bottom shaft. Set these parts to the side so they do not get mixed up with other parts as the disassembly continues.



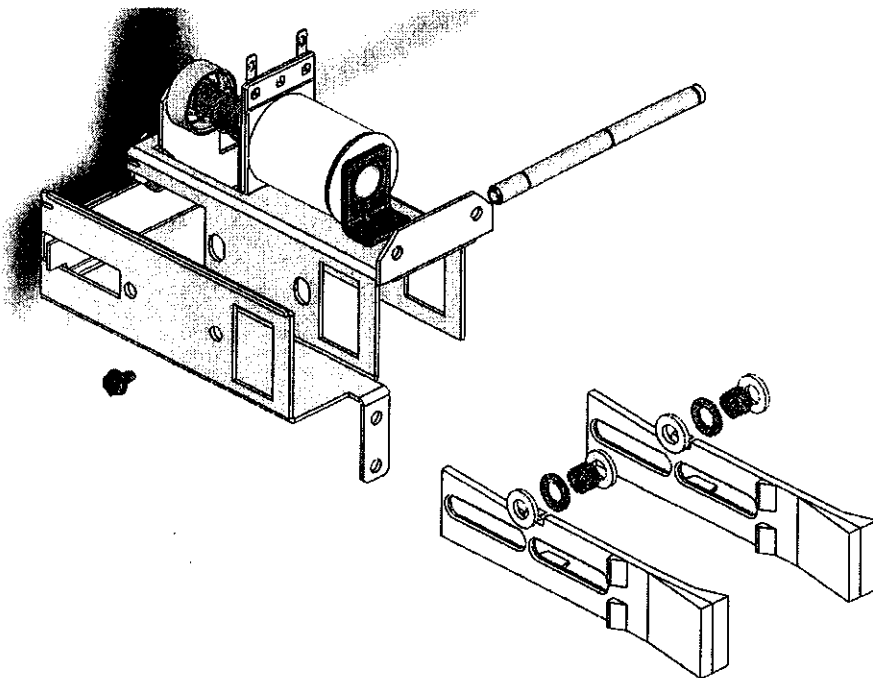
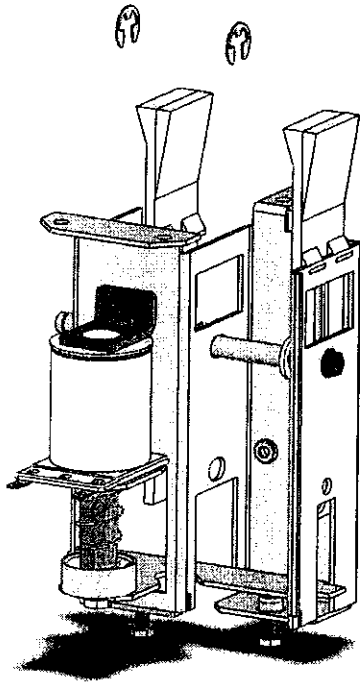
Step 4: Remove the other two e-rings attached to the BOTTOM shaft. Remove the screw on the end of the shaft. Slide the shaft out of the bracket, NOTE two thick flat washers are captured between the targets and the metal bracket. These will drop out as the shaft is removed. Set these parts to the side so they do not get mixed up with other parts as the disassembly continues. NOTE: The two shafts are different, do not mix them up.



Remove bottom shaft, watch for thick flat washers to fall out. Place these parts in a third pile on the work bench.

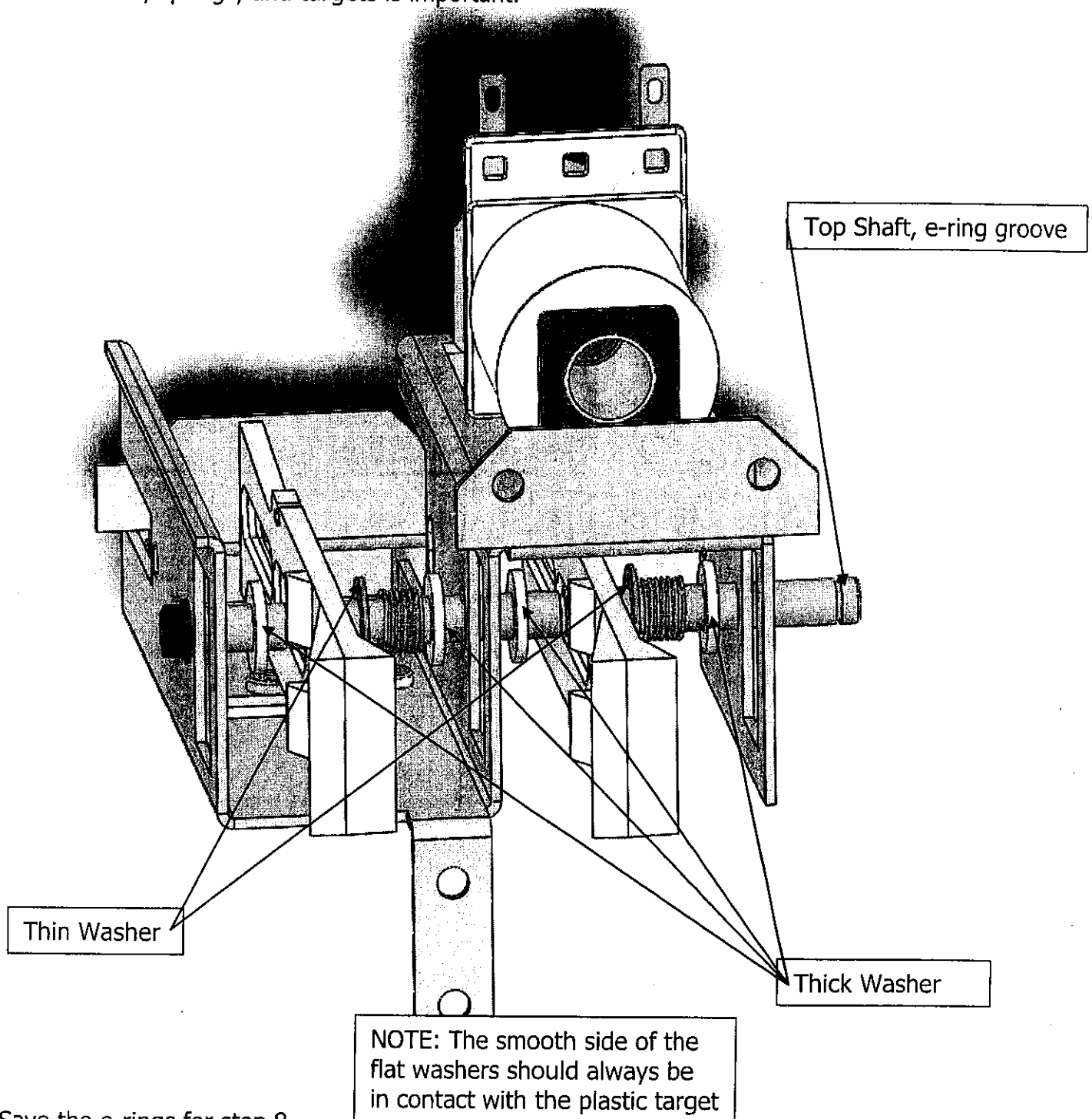


Step 5: Remove the two e-rings on the top shaft. Lay the drop target assembly on the bench THEN remove the screw on the end of top shaft. Slide the shaft out of bracket. As you do this the, washers, springs, and two targets, will come loose. Do this slowly on the bench so the parts do not get lost.



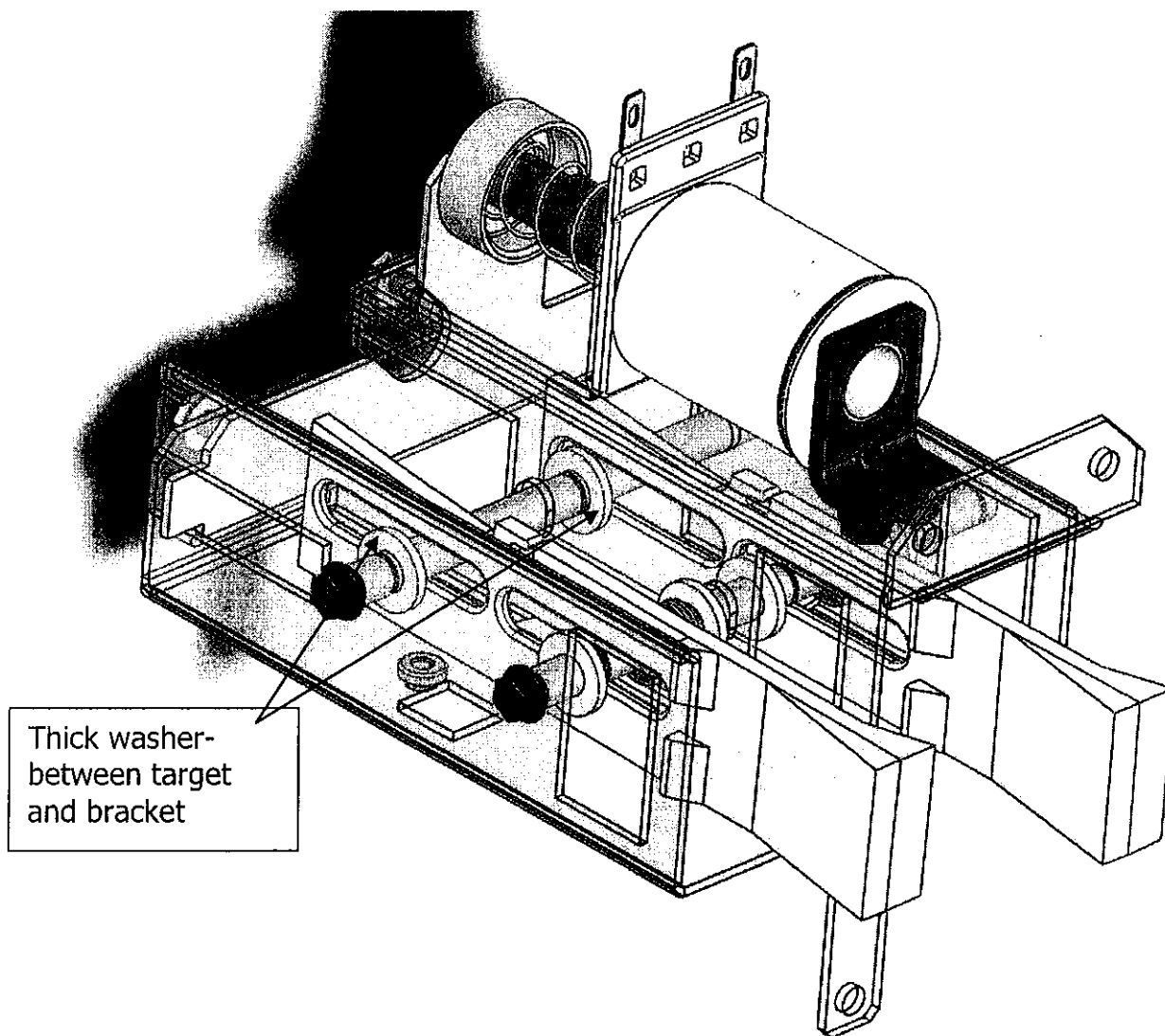
The drop target assembly is now ready to be re-assembled. Using the new targets follow the disassembly steps in reverse order.

Step 6: Install targets 1 & 2 with top shaft. Using the components from Parts Pile 4 thread all the components on the top shaft, attach screw to end of shaft. The order of flat washers, springs, and targets is important.



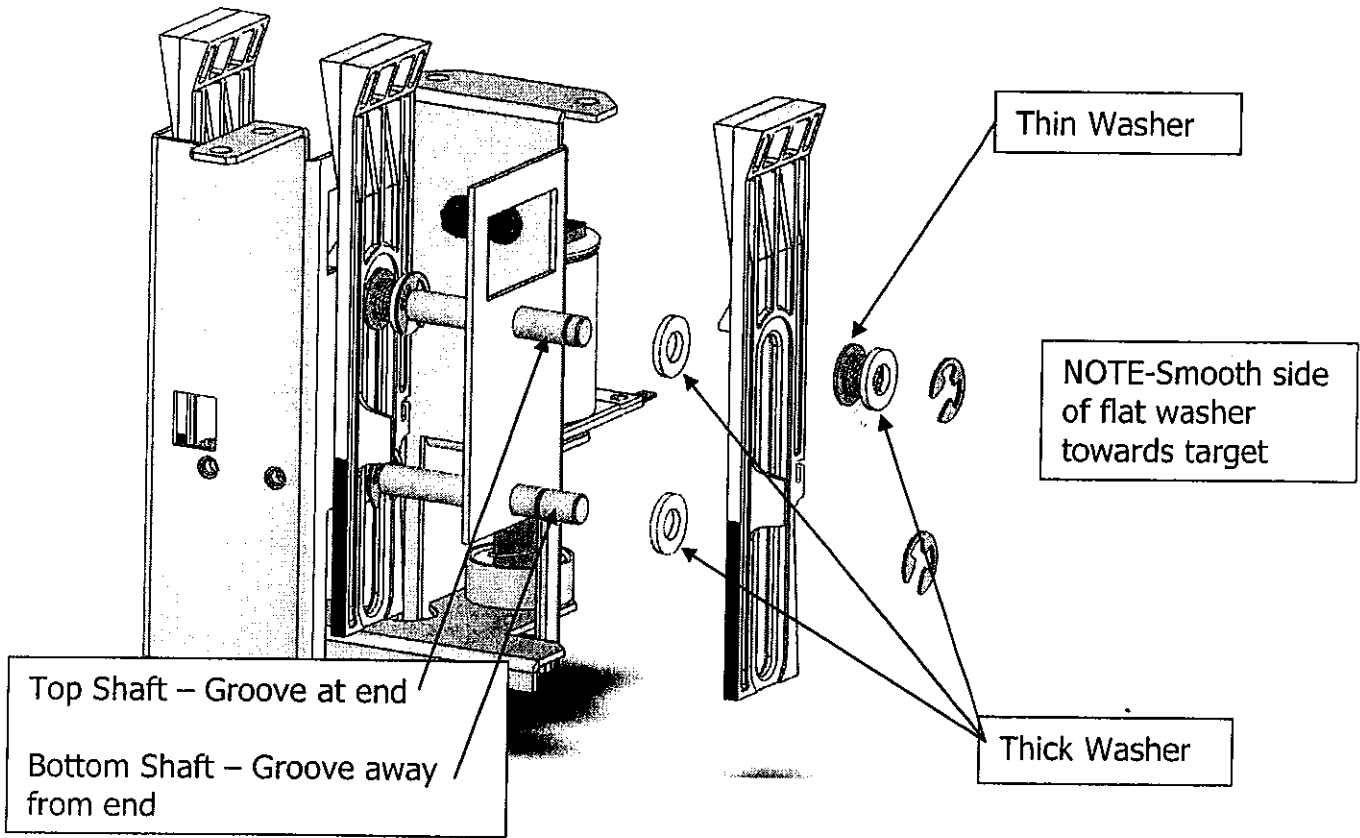
Save the e-rings for step 8

Step 7: Using the parts from pile 3 thread the components on the bottom shaft. By not attaching the e-ring to the top shaft in step 6 it will be easier to move the targets while threading the parts on the bottom shaft.

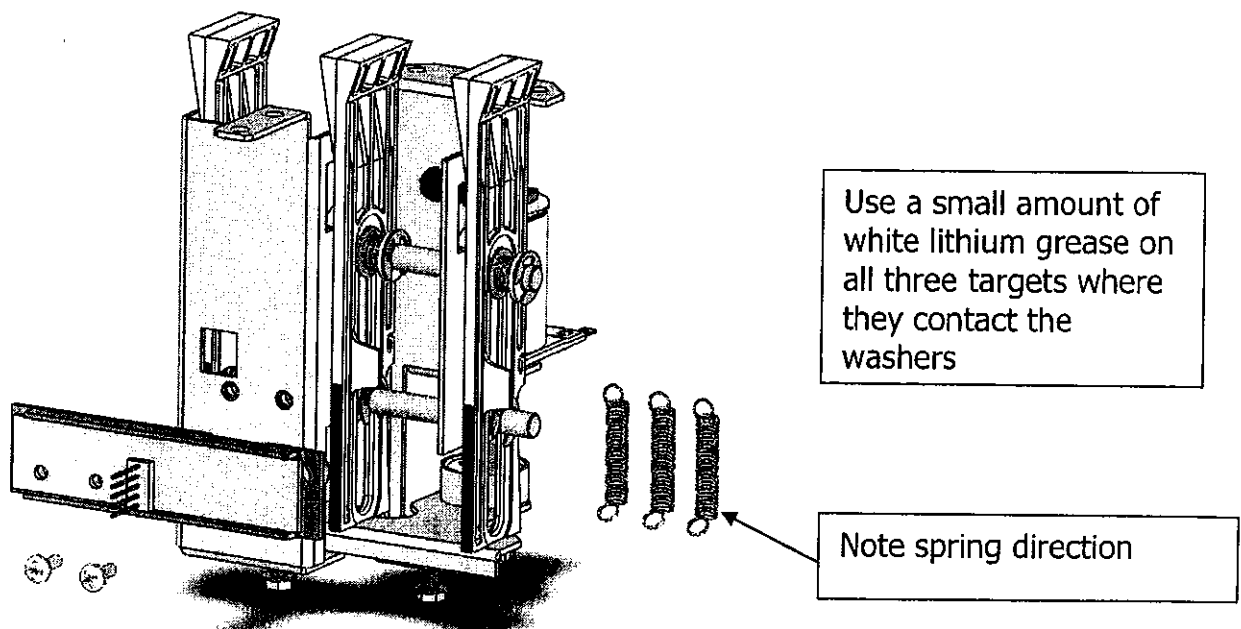


Step 8: Attach the four e-rings, two on the top shaft, and two on the bottom shaft to secure the first and second targets.

Step 9: Attached the components from parts pile 2 for the third target



Step 10: Re-attach the Opto board and return springs



Step 11: Attach Drop target to playfield

PARTS PILES – KEEP THESE SEPARATE

PILE 1 – Opto Board

- 2 – Screws
- 1 – Opto Board
- 1 – Plastic PCB holder
- 3 – Target return springs

PILE 2 – Parts for third target

- 2 – E-rings
- 3 – Thick flat washer
- 1 – Thin washer
- 1 – Small spring

PILE 3 – Parts from bottom shaft

- 1 - Shaft, Bottom
- 1 - Screw
- 2 - E-rings
- 2 – Thick flat washers

PILE 4 – Parts from top shaft

- 1 – Shaft, Top
- 1 – Screw
- 2 – E-rings
- 2 – Targets
- 2 – Small springs
- 2 – Thin flat washers
- 4 – Thick flat washers